

225532-3 ✓ ACTIVE

[AMP](#) | [AMP SMA](#)

TE Internal #: 225532-3

RF Connectors, SMA RF Interface, Plug, 50  $\Omega$ , RG 142 / Belden 84142 / RG 142B, Threaded, 18 GHz Operating Frequency, 1 Position, Wire & Cable, AMP SMA

[View on TE.com >](#)



[Connectors](#) > [RF Coax Connectors](#) > [RF Connectors](#)



RF Interface: **SMA**

RF Connector Style: **Plug**

RF Connector Mated Outer Diameter (Approximate): **8.99 mm [ .354 in ]**

Impedance: **50  $\Omega$**

Compatible With RF Cable Type: **Belden 84142, RG 142, RG 142A, RG 142B, RG 400**

## Features

### Product Type Features

Connector Product Type	Connector Assembly
Connector Seal Type	Interfacial Seal
RF Interface	SMA
RF Connector Style	Plug
Compatible With RF Cable Type	Belden 84142, RG 142, RG 142A, RG 142B, RG 400
Connector & Contact Terminates To	Wire & Cable

### Configuration Features

Number of Positions	1
Number of Coaxial Contacts	1

### Electrical Characteristics

Impedance	50 $\Omega$
-----------	-------------

### Body Features

Cable Connector Orientation	Straight
Body Material	Stainless Steel
Body Material Finish	Passivated

### Contact Features

RF Connector Center Contact Underplating Material	Nickel
---	--------



RF Connector Contact Configuration	Not Captivated
------------------------------------	----------------

Ferrule Plating Material	Tin-Lead
--------------------------	----------

Crimp Type	Hex
------------	-----

Ferrule Material	Copper
------------------	--------

RF Connector Center Contact Plating Material	Gold
--	------

RF Connector Center Contact Material	Brass
--------------------------------------	-------

### Termination Features

Termination Method to Wire & Cable	Crimp
------------------------------------	-------

### Mechanical Attachment

RF Connector Coupling Mechanism	Threaded
---------------------------------	----------

Connector Mounting Type	Cable Mount (Free-Hanging)
-------------------------	----------------------------

RF Contact Captivation Method	Mechanical
-------------------------------	------------

### Dimensions

Product Length	26.17 mm[1.03 in]
----------------	-------------------

RF Connector Mated Outer Diameter (Approximate)	8.99 mm[.354 in]
---	------------------

### Usage Conditions

Operating Temperature Range	-65 – 165 °C[-85 – 329 °F]
-----------------------------	----------------------------

### Operation/Application

Operating Frequency	18 GHz
---------------------	--------

### Packaging Features

Packaging Method	Package
------------------	---------

### Other

Coupling Nut Plating Finish	Passivated
-----------------------------	------------

Coupling Nut Base Material	Stainless Steel
----------------------------	-----------------

Military Category	B
-------------------	---

Grade	Military
-------	----------

Dielectric Material	PTFE
---------------------	------

### Product Compliance

[For compliance documentation, visit the product page on TE.com>](#)

EU RoHS Directive 2011/65/EU	Not Compliant
------------------------------	---------------

EU ELV Directive 2000/53/EC	Not Compliant
-----------------------------	---------------

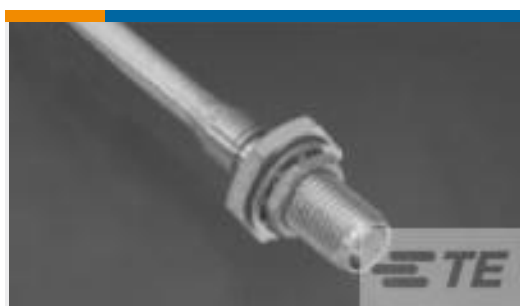


China RoHS 2 Directive MIIT Order No 32, 2016	Restricted Materials Above Threshold
EU REACH Regulation (EC) No. 1907/2006	Current ECHA Candidate List: JUNE 2022 (224) Candidate List Declared Against: JUL 2021 (219) SVHC > Threshold: Pb (3.7% in base metal) <b>Article Safe Usage Statements:</b> Do not eat, drink or smoke when using this product. Wash thoroughly after handling. Recycle if possible and dispose of the article by following all applicable governmental regulations relevant to your geographic location.
Halogen Content	BFR/CFR/PVC Free, but Br/Cl >900 ppm in other sources.
Solder Process Capability	Not applicable for solder process capability

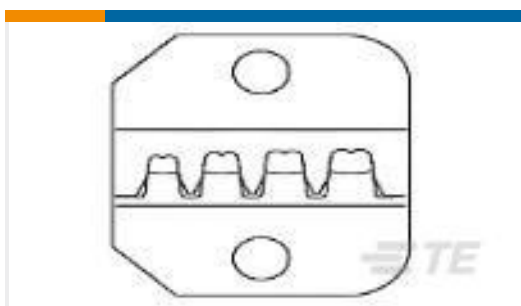
Product Compliance Disclaimer

This information is provided based on reasonable inquiry of our suppliers and represents our current actual knowledge based on the information they provided. This information is subject to change. The part numbers that TE has identified as EU RoHS compliant have a maximum concentration of 0.1% by weight in homogenous materials for lead, hexavalent chromium, mercury, PBB, PBDE, DBP, BBP, DEHP, DIBP, and 0.01% for cadmium, or qualify for an exemption to these limits as defined in the Annexes of Directive 2011/65/EU (RoHS2). Finished electrical and electronic equipment products will be CE marked as required by Directive 2011/65/EU. Components may not be CE marked. Additionally, the part numbers that TE has identified as EU ELV compliant have a maximum concentration of 0.1% by weight in homogenous materials for lead, hexavalent chromium, and mercury, and 0.01% for cadmium, or qualify for an exemption to these limits as defined in the Annexes of Directive 2000/53/EC (ELV). Regarding the REACH Regulation, the information TE provides on SVHC in articles for this part number is based on the latest European Chemicals Agency (ECHA) 'Guidance on requirements for substances in articles' posted at this URL: <https://echa.europa.eu/guidance-documents/guidance-on-reach>

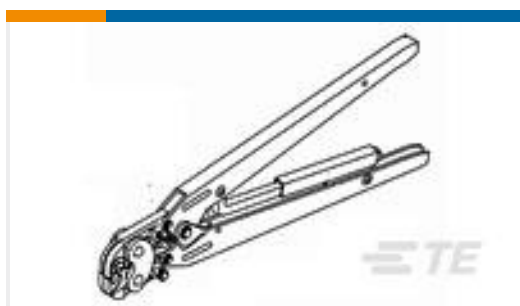
### Compatible Parts



TE Part # 6086274-1  
2234 7388 36



TE Part # 91908-1  
PREM SDE DIE,SMA RG 188,58



TE Part # 220061-1  
DAHT COAXICON RG188 RG58 C ASSY

### Also in the Series | AMP SMA



Battery Holders(1)



Between Series Adapters(1)



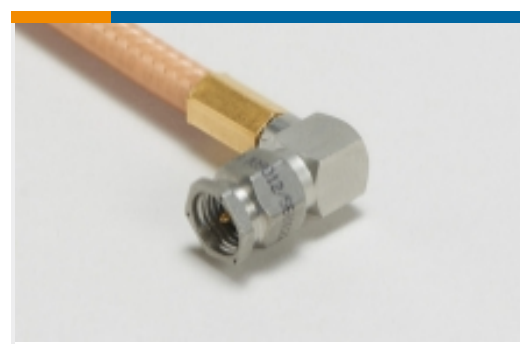
Coax Terminators(1)



In-Series Adapters(11)



Rack &amp; Panel Ferrules &amp; Inserts(1)



RF Cable Assemblies(2)



RF Connector Hardware(2)



RF Connector Launchers(8)



RF Connector Shrouds(3)



RF Connectors(297)

## Documents

### Product Drawings

#### SMA PLUG FLEX

English

#### SMA PLUG FLEX

English

#### SMA PLUG FLEX

English

### CAD Files

#### 3D PDF

3D

#### Customer View Model

[ENG\\_CVM\\_CVM\\_225532-3\\_AH.2d\\_dxf.zip](#)

English

#### Customer View Model

[ENG\\_CVM\\_CVM\\_225532-3\\_AH.3d\\_igs.zip](#)

English

#### Customer View Model

[ENG\\_CVM\\_CVM\\_225532-3\\_AH.3d\\_stp.zip](#)

English

By downloading the CAD file I accept and agree to the [Terms and Conditions](#) of use.

### Datasheets & Catalog Pages

#### DEUTSCH MIL-DTL-38999 CIRCULAR CONNECTORS

English

### Instruction Sheets



[Instruction Sheet \(U.S.\)](#)

English

[Instruction Sheet \(U.S.\)](#)

English

---

[Agency Approvals](#)

[UL Report](#)

English